

INDUSTRIAL RANGE
CONDENSING UNIT**BAX**
CONDENSING HEAT RECOVERY UNIT**Main features**

BAX is a condensing heat recovery unit built from AISI 316 Ti stainless steel. Must be located after the boiler flue gas exit output, exclusive fuel being natural gas or LPG.

When the flue gas pass through the recovery unit, their temperature drops remarkably and, if the system return temperature is below 57 °C, condenses the water contained vapor by exploiting the latent heat of condensation.

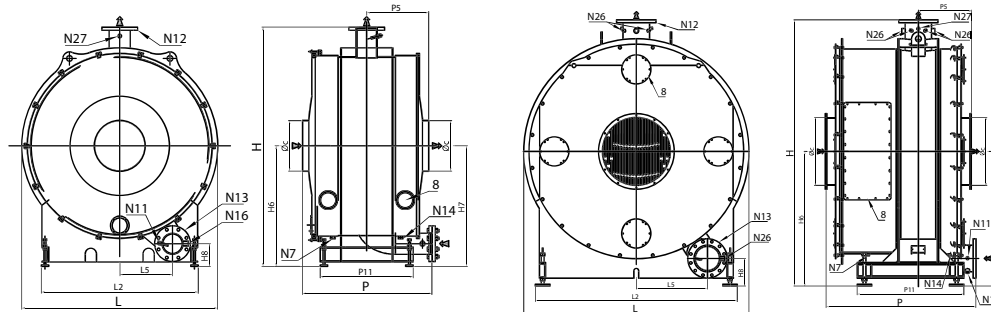
The recovery unit must be hydraulically connected in series to matching boiler; the increase in water temperature is only by few Celsius degrees and the check of work minimum temperature permitted by the boiler is mandatory.

Some of the product's main features are listed below:

- heat exchange surfaces made from AISI 316 Ti stainless steel, welded with TIG method, consisting of stainless plates characterized by a particular corrugated shape being able to increase heat exchange surface, and facilitate droplet condensate formation allowing adequate drainage.
- the boiler shell with system boiler flow and return connections, with external mineral wool insulation and embossed aluminum cladding.
- AISI 316 Ti stainless steel front and back smoke complete with flue gas and condensate drain connections
- height adjustable support

For each product always indicate the code at the time of the order.

INDUSTRIAL RANGE CONDENSING UNIT BAX



Legend:

- N7 Boiler condensate drain
- N11 Return temperature control
- N12 Condenser delivery
- N13 Condenser return
- N7 Boiler condensate drain
- N16 Condensator drain
- N27 Delivery temperature control
- 8 Inspection/cleaning doors

MOD 88 ÷ 128

MOD 200 ÷ 350

Characteristics Model*	Code product	Application Effective capacity boiler connectible kW	Effective capacity		Pressure drop BAX fumes mbar	BAX fumes output temperature		Condensate production Temp. Delivery/Return 50/30°C kg/h	Pressure drop Hydraulic (ΔT=12°C) mbar	Volume total lt	Total weight kg
			Temp. Return 60°C kW	Temp. Return 30°C kW		Temp. Return 60°C °C	Temp. Return 30°C °C				
BAX 88	88220011	500	529,7	591,0	0,06	68,5	38,5	80	7	393	310
		1000	1057,4	1169,0	0,25	72,6	42,6	144	27	393	310
		1500	1583,1	1740,0	0,56	76,7	46,7	201	61	393	310
		2000	2106,8	2306,9	1,00	80,8	50,8	254	108	393	310
BAX 128	88220017	1500	1585,9	1752,6	0,26	72,9	42,9	215	28	443	530
		2000	2111,8	2324,0	0,47	75,7	45,7	272	49	443	530
		2500	2636,3	2892,4	0,74	78,5	48,5	326	77	443	530
		3000	3159,5	3458,2	1,06	81,3	51,3	379	111	443	530
BAX 200	88220025	2500	2642,5	2917,5	0,3	73,5	43,5	355	23	626	1254
		3000	3168,4	3488,7	0,43	75,3	45,3	411	33	626	1254
		3500	3693,4	4058,0	0,59	77,1	47,1	466	44	626	1254
		4000	4217,5	4625,6	0,77	78,9	48,9	520	58	626	1254
BAX 230	88220035	3500	3696,2	4069,1	0,45	75,4	45,4	478	17	831	1619
		4000	4221,2	4638,3	0,58	77,0	47,0	533	23	831	1619
		4500	4745,4	5206,1	0,74	78,6	48,6	587	29	831	1619
		5000	5268,8	5772,5	0,91	80,1	50,1	640	36	831	1619
BAX 290	88220050	4500	4751,8	5229,7	0,46	75,6	45,6	613	29	896	2088
		5000	5276,8	5798,9	0,57	76,9	46,9	668	36	896	2088
		5500	5801,1	6366,9	0,69	78,1	48,1	722	43	896	2088
		6000	6324,8	6933,9	0,82	79,4	49,4	775	51	896	2088
BAX 350	88220070	5500	5807,4	6390,3	0,48	75,8	45,8	747	43	1036	2590
		6000	6332,3	6959,5	0,57	76,8	46,8	802	51	1036	2590
		6500	6856,8	7527,6	0,66	77,8	47,8	857	60	1036	2590
		7000	7380,7	8094,9	0,77	78,9	48,9	910	70	1036	2590

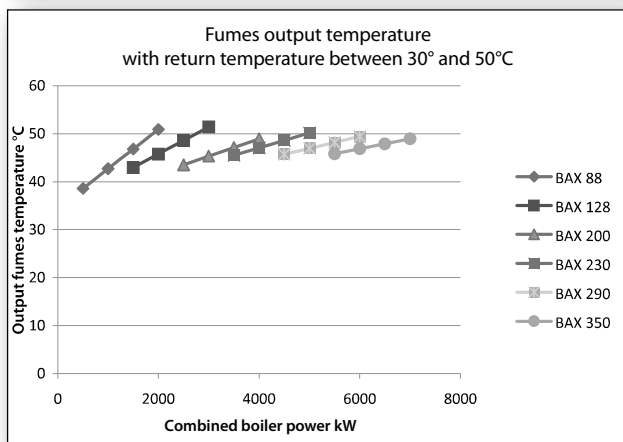
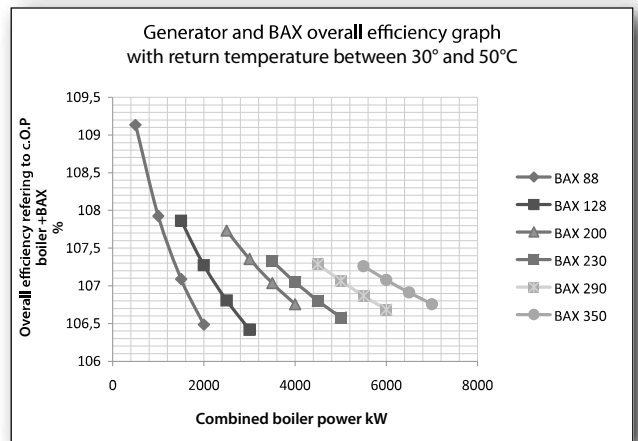
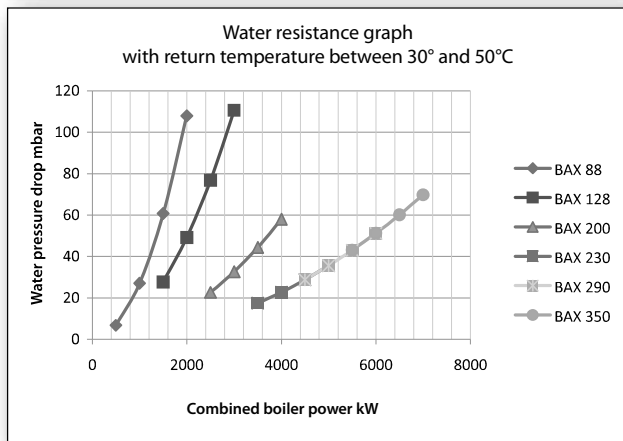
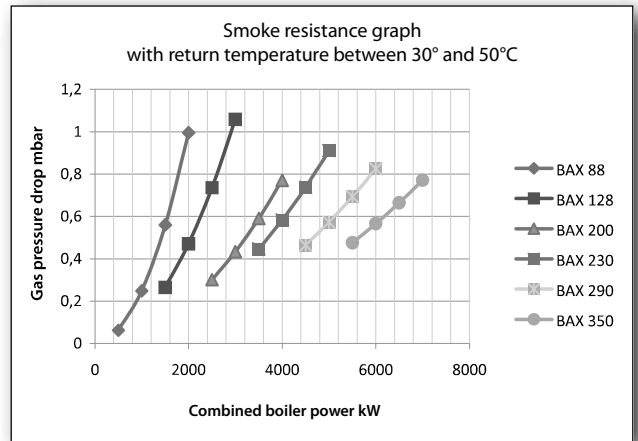
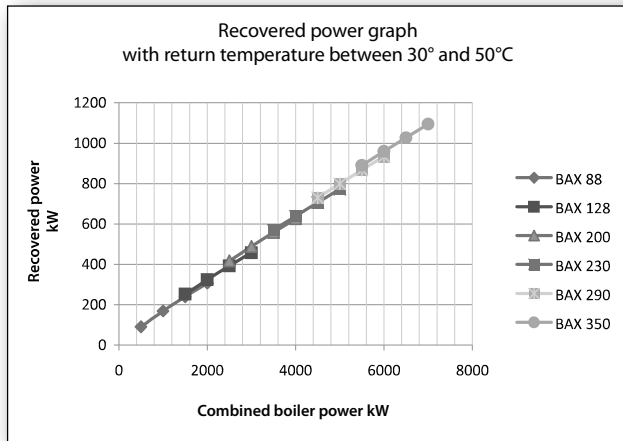
Dimensions	H	H6	H7	H8	L	L2	L5	P	P5	P11	Øc	N17	N11	N12	N13	N14	N16	N27
Model	mm	mm	mm	mm	mm	mm	mm	mm	mm	mm	mm	DN/in	DN/in	DN/in/mm	DN/in	in	in	in
BAX 88	1760	890	890	163	1420	1300	250	1037	495	740	400	1"	1/2"	125 PN16	125 PN16	1"	1"	1/2"
BAX 128	1904	960	960	181	1560	1250	420	1030	494	740	400	1"	1/2"	125 PN16	125 PN16	1"	1"	1/2"
BAX 200	2380	1210	1210	256	1960	1390	410	1555	552	1160	550	1"	1/2"	200 PN16	200 PN16	1"	1"	1/2"
BAX 230	2592	1317	1317	266	2170	1480	452	1552	548	1100	600	1"	1/2"	200 PN16	200 PN16	1"	1 1/4"	1/2"
BAX 290	2742	1387	1387	285	2321	2080	733	1552	546	1100	700	1"	1/2"	250 PN16	250 PN16	1"	1 1/4"	1/2"
BAX 350	3052	1602	1602	315	2491	2126	598	1622	546	1100	800	1"	1/2"	250 PN16	250 PN16	1"	1 1/4"	1/2"

* input fumes temperature is considered to be 190°C

INDUSTRIAL RANGE
CONDENSING UNIT
BAX

BAX

WITH RETURN TEMPERATURE BETWEEN 30 AND 50°C.



BAX

WITH RETURN TEMPERATURE BETWEEN 60° AND 80°C.

