

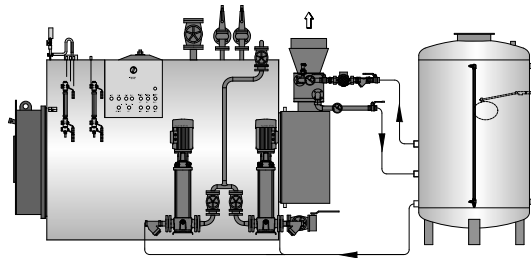
ECXV
VERTICAL ENERGY SAVERE



Main features

- Energy savings achieved by partial recovery of sensible heat of exhaust fumes of generator by pre-heating of the water supply;
- Smokes / water exchanger non condensing element suitable for methane gas generator operation, executed from finned tubes made out of carbon steel P235GH, arranged in several rows with distribution manifolds; construction in accordance with the European directive PED 97 23;
- Hermetic frame containment in externally varnished carbon steel directly coupled by means of bolts to generator smoke chamber suitably modified;
- conic flanged smoke outlet fitting, equipped with a top circular flange for chimney connection;
- instrument assembly and hydraulic connection collector piping;
- hydraulic connection according to A or B schemes presented below.

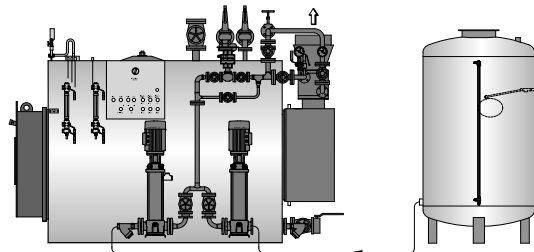
A installation diagram



Supplied accessories for diagram A

- safety valve (3bar)
- economizer circulation pump
- 3 shut-off valves
- pump filter
- 2 water thermometers upstream and downstream of the economizer

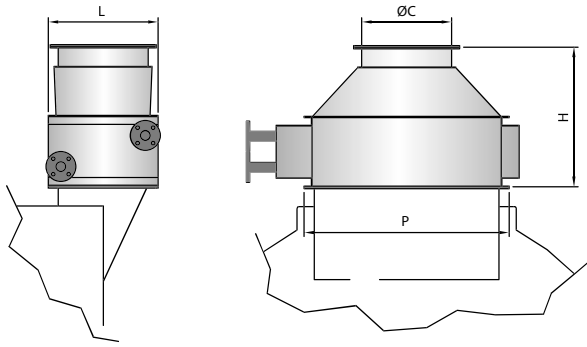
B installation diagram



Supplied accessories for diagram B

- PED certified safety valve (18bar)
- 3 interception and bypass valves
- water thermometer downstream of the economizer
- water manometer downstream of the economizer
- economizer-generator connection pipes

INDUSTRIAL RANGE
ACCESSORIES
ECXV



Characteristics	Suitable for	Effective capacity	100% efficiency (ref. C.O.P.)	Flue gas pressure drop	Outgoing fumes temp.	Weight	Dimensions				
							N1	Ø C	H	L	P
Model		kW	%	mbar	°C	kg	in/DN	mm	mm	mm	mm
ECXV 2-6	SIXEN 350	15	+ 6,7	0,1	119	85	1"	250	400	278	710
ECXV 2-6	SIXEN 500	21	+ 6,1	0,2	131	85	1"	250	400	278	710
ECXV 2-6	SIXEN 650	25	+ 5,6	0,3	139	85	1"	250	400	278	710
ECXV 2-6	SIXEN 800	30	+ 5,2	0,4	146	85	1"	250	400	278	710
ECXV 2-6	SIXEN 1000	34	+ 4,9	0,5	152	85	1"	250	400	278	710
ECXV 8-12	SIXEN 1350	47	+ 5,0	0,3	149	124	25	350	400	380	910
ECXV 8-12	SIXEN 1700/GX 1000	54	+ 4,7	0,4	155	124	25	350	400	380	910
ECXV 8-12	SIXEN 2000/GX 1200	62	+ 4,4	0,5	160	124	25	350	400	380	910
ECXV 15-20	SIXEN 2500/GX 1500	82	+ 4,7	0,2	155	178	40	450	550	552	1030
ECXV 15-20	SIXEN 3000/GX 1750	92	+ 4,5	0,3	158	178	40	450	550	552	1030
ECXV 15-20	SIXEN 3500/GX 2000	101	+ 4,3	0,4	162	178	40	450	550	552	1030
ECXV 25-35	SIXEN 4000/GX 2500	142	+ 4,9	0,4	152	232	40	550	575	708	1280
ECXV 25-35	SIXEN 5000/GX 3000	161	+ 4,6	0,5	157	232	40	550	575	708	1280
ECXV 25-35	GX 3500	179	+ 4,4	0,7	160	232	40	550	575	708	1280
ECXV 40-50	GX 4000	267	+ 5,7	1,9	135	269	40	650	700	642	1280
ECXV 40-50	GX 5000	315	+ 5,4	2,8	141	269	40	650	700	642	1280
ECXV 60-70	GX 6000	391	+ 5,6	2,3	138	341	50	700	700	732	1480
ECXV 60-70	GX 7000	435	+ 5,3	2,9	143	341	50	700	700	732	1480
ECXV 80	GX 8000	502	+ 5,4	2,8	142	438	50	800	700	822	1530
ECXV 90-100	GX 9000	564	+ 5,4	2,5	142	510	65	900	700	912	1630
ECXV 90-100	GX 10000	606	+ 5,2	3,0	145	510	65	900	700	912	1630
ECXV 120-130	GX 12000	738	+ 5,2	3,0	145	591	65	1100	700	912	1980
ECXV 120-130	GX 13000	780	+ 5,1	3,3	146	591	65	1100	700	912	1980
ECXV 150	GX 15000	925	+ 5,2	2,8	144	722	65	1300	700	1002	2280

Model	Suitable for	Code	INSTALLATION (A)				Code	INSTALLATION (B)			
			T input °C	T output °C	Flow l/h	Water pressure drop bar		T input °C	T output °C	Flow l/h	Water pressure drop bar
ECXV 2-6	SIXEN 350	85500090	75	90	891	0,02	-	Installation (B) not available			
	SIXEN 500		75	90	1209	0,02					
	SIXEN 650		75	90	1485	0,04					
	SIXEN 800		75	90	1728	0,05					
	SIXEN 1000		75	90	1945	0,06					
ECXV 8-12	SIXEN 1350	85500120	75	90	2695	0,19	85500110	80	109	1370	0,15
	SIXEN 1700/GX 1000		75	90	3096	0,26		80	107	1700	0,21
	SIXEN 2000/GX 1200		75	90	3555	0,31		80	106	2040	0,29
ECXV 15-20	SIXEN 2500/GX 1500	85500140	75	90	4701	0,13	85500135	80	107	2560	0,03
	SIXEN 3000/GX 1750		75	90	5275	0,15		80	106	3000	0,07
	SIXEN 3500/GX 2000		75	90	5791	0,18		80	105	3400	0,06
ECXV 25-35	SIXEN 4000/GX 2500	85500170	75	90	8141	0,21	85500160	80	108	4270	0,07
	SIXEN 5000/GX 3000		75	90	9231	0,26		80	107	5100	0,09
	GX 3500		75	90	10263	0,37		80	105	6000	0,13
ECXV 40-50	GX 4000	-	Installation (A) not available				85500175	80	114	6820	0,27
	GX 5000		80	113	8500	0,3					
ECXV 60-70	GX 6000	-	Installation (A) not available				85500190	80	113	10240	0,44
	GX 7000		80	111	12000	0,57					
ECXV 80	GX 8000	-	Installation (A) not available				85500220	80	112	13600	0,58
ECXV 90-100	GX 9000	-	Installation (A) not available				85500230	80	112	15300	0,18
	GX 10000		80	111	17000	0,19					
ECXV 120-130	GX 12000	-	Installation (A) not available				85500250	80	111	20000	0,3
	GX 13000		80	110	22000	0,35					
ECXV 150	GX 15000	-	Installation (A) not available				85500260	80	113	25000	0,1