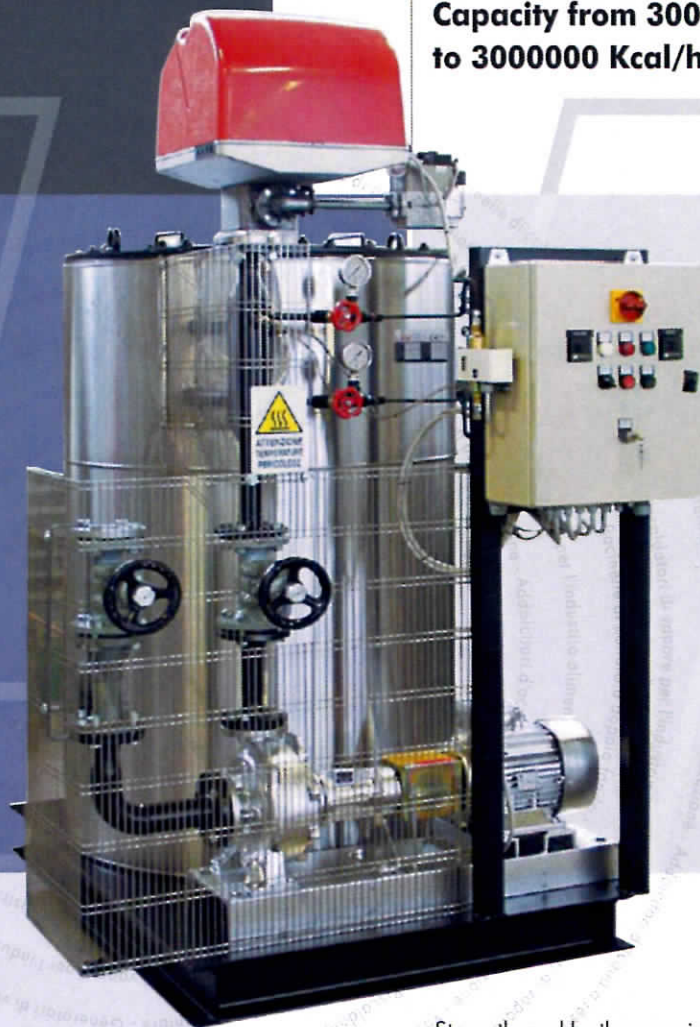


Diathermic oil heaters

- Heaters exempt from licensed operator
Capacity from 30000
to 3000000 Kcal/h

www.lpvcaldaie.com



CE

Strengthened by the experience of its founder members, LPV Caldaie has been operating in the market for more than 15 years offering solutions for the food processing sector and the production of steam and diathermic oil boilers for industry. The ever-evolving technologies and the competency of the staff are the foundation for the continuous development of the company and its products.

Diathermic oil heaters



General description

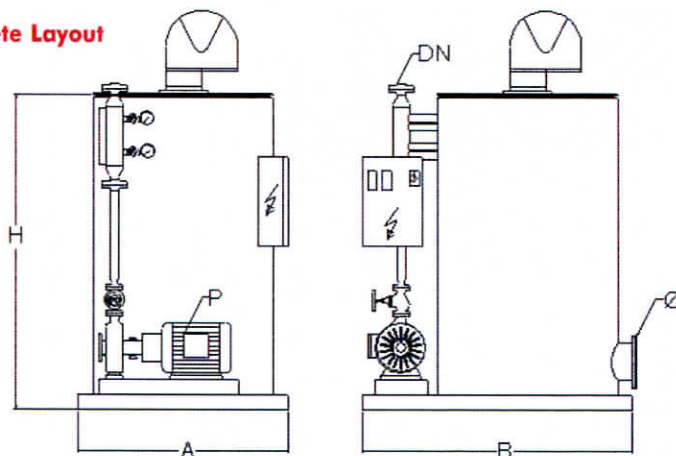
The ROD series consists of three-pass fire tube type diathermic oil heaters constructed with total protection helical concentric coils and closed at the sides with a monolithic refractory lining supported by steel sheeting. The heat exchange between three-pass fire tube and the oil takes place in countercurrent, thereby ensuring high efficiency. High density mineral wool thermal insulation with stainless steel plate covering reduces heat dispersion to a minimum. The heaters are equipped with a self-supporting base which houses : the oil circulation pump, the electric control panel and the control and recording equipment.

Standard features

ROD	Capacity		A	B	H	Diameter	DN	Dry weight
	Kcal/h	kW						
60	60.000	70				150	32	750
100	100.000	116	750	1000	1280	180	32	850
200	200.000	232	900	1250	1530	180	40	1100
300	300.000	349	1000	1250	1730	250	50	1300
400	400.000	465	1000	1250	2025	250	65	1500
500	500.000	581	1200	1250	2280	250	65	1600
600	600.000	697	1200	1500	2430	250	65	1800
800	800.000	930	1200	1500	2580	350	80	2300
1000	1.000.000	1163	1200	1500	2760	350	100	2700
1250	1.250.000	1453	1500	1800	3330	350	100	3100
1600	1.600.000	1860	1500	1800	3530	450	125	3900
2000	2.000.000	2326	1700	2000	3830	450	150	5200

ROD	Capacity		Surface	Content	Furnace	Flow resistance	Pump flow rate	Dry weight Kg
	Kcal/h	kW						
60	60.000	70	5,00	50	0,06	20	3	750
100	100.000	116	6,90	66	0,098	24	5	850
200	200.000	232	11,05	81	0,186	20	10	1100
300	300.000	349	12,97	86	0,244	22	15	1300
400	400.000	465	17,15	132	0,323	24	20	1500
500	500.000	581	24,16	198	0,536	18	25	1600
600	600.000	697	25,67	210	0,618	22	30	1800
800	800.000	930	30,61	350	0,748	16	40	2300
1000	1.000.000	1163	36,28	15	0,877	15	50	2700
1250	1.250.000	1453	41,58	475	1,105	16	60	3100
1600	1.600.000	1860	54,81	630	1,805	23	80	3900
2000	2.000.000	2326	69,05	790	2,795	22	100	5200

Complete Layout



Vertical and horizontal structures are limited by design specifications.

As a rough indication, from the 800 model upwards, the horizontal structure is used.

The measurements indicated are subject to modification without notice - Special versions on request

LPV

CALDAIE

LPV CALDAIE S.r.l.

Via Cremonese, 150/a - 43010 Località Fontana - Parma (Italy)

Tel. +39 0521 674088 - Fax +39 0521 674082

www.lpvcaldaie.com info@lpvcaldaie.com