

INDUSTRIAL RANGE
STEAM

BX (version recommended for export)

LOW PRESSURE STEAM BOILER WITH REVERSE FLAME

Design pressure 0.89 bar 0.7 bar or 0.5 bar (without PED)*



Main features

BX low-pressure reverse flame steam generator stands out due to produced dry steam quality with saturation values reaching 1 even at low pressure

Some of the product's main features are related below:

- P265GH UNI EN 10028/2 and P275NH UNI EN 10028/3 quality steel boiler body welded and tested with methods approved and labeled CE in accordance with the PED 97 /23/EC directive
- horizontal wetback combustion chamber with flame reversal, supported and guided by a perforated stub to ensure complete wet back
- flat tube plates with plasma drilled holes for smoke pipe welding
- containment plating with flanged connections for equipment operation and equipped with separator for prevention of water entrainment in spite of the low pressure and with hatch function for easy inspection
- P235GH UNI EN 10216/2 smoke tubes welded to tube plates, equipped with helical turbolators
- single steel sheet front door, thermally insulated refractive materials with high aluminum content, mounted on adjustable hinges, easily opened by hand wheel bolts without the need to remove the burner; equipped with light indicator for combustion control
- steel sheet posterior smoke box can be removed using equipped bolts in order to clean the smoke pipes; provided with cleaning door and chimney connection
- support built from carbon steel sections able to support the entire unit.
- embossed metal sheet upper walkway for accessories service, parts located above the boiler
- high density, mineral wool mattress, adequate thickness thermal insulation, with corrugated stainless steel protective sheet mounted on a rectangular frame
- suitability for liquid or gaseous fuels, for a steam production from 60 to 3000 kg/h
- Supplied accessories needed for automatic operation connected by electrical wiring to a single centralized control panel, all subjected to final functionality test.

Standard equipment:

- steam accessory group contains:
 - steam stop valve for flow start
 - **2 spring safety valves**
 - **2 level indicators with direct reflection**
 - 2 shut-off valve groups and drain indicator
- monitoring instrumentation header, containing:
 - large dial 3 way test valve manometer
 - limit pressure gage
 - **regulating pressure gauge**
 - manual reset safety pressure gage
- water delivery unit mounted on boiler support containing:
 - **2 centrifugal pumps suitable for 90°C water**
 - **4 delivery shut-off valves**
 - **2 pump suction filters**
 - **3 non return valves**
- blow down unit containing:
 - rapid discharge spherical valve with manual lever
- automatic conductivity probe level regulator containing:
 - pump start probe
 - pump shut-off probe
 - 1° alarm and burner block probe for low level
 - 2° alarm and burner block probe for low level
- boiler electric command panel, IP 55 electrical protection, composed of:
 - main switch
 - pump/main switch (off-manual-automatic)
 - burner switch
 - pump 1 selector
 - level regulation relay
 - low level 1° alarm relay with manual reset
 - low level 2° alarm relay with manual reset
 - high pressure light and alarm reset button
 - low level 1° pressure light and alarm reset button
 - low level 2° pressure light and alarm reset button
 - alarm siren

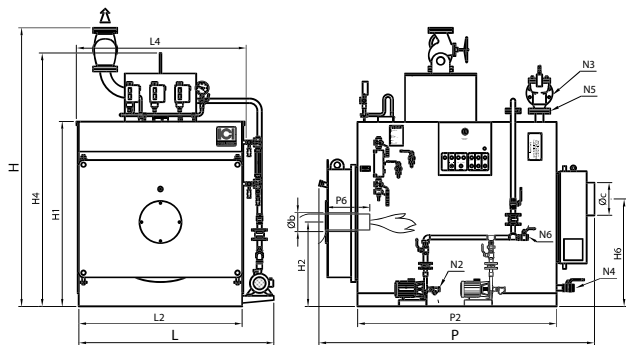
Central components:

- ECXV vertical economizer
- VRC condensate collection vessel
- DEG atmospheric deaerator
- ADD power delivery water treatment unit

Available accessories	Code
BX automatic blow down system	See accessories section
(TDS pneumatic) salinity control unit (beginning with BX 800)	17090037
(TDS electrical) salinity control unit (beginning with BX 800)	17090035
(TDS electrical light) salinity control unit (ending with BX 600)	17090051
Sample cooler	38040100
High level security kit	90060010
GSS72/1 (BX60-600) global security system	86900067
GSS72/2 (BX800-1750) global security system	86900068

* Design pressure for countries such as Russia, Belarus, Kazakhstan, Georgia, Ukraine.

INDUSTRIAL RANGE STEAM BX (version recommended for export)



- Legend:**
 N1 Steam press
 N2 Power delivery
 N3 Safety valve drain**
 N4 Boiler drain
 N5 Safety valve connection
 N6 Auxiliary power delivery

Characteristics	Code product	Effective capacity	Flow Thermal	100% efficiency (ref. C.O.P.)	Steam production***	Design pressure	Min-max work pressure	Volume level H ₂ O	Total volume H ₂ O	Flue gas pressure drop	Fuel consumption			Total weight
											Gas	Diesel fuel	Nafta	
Model		kW	kW	%	kg/h	bar	bar	lt	lt	mbar	Nm ³ /h	kg/h	kg/h	kg
BX 60 exp	86120064	69,8	77,4	90,00	100	0,98	0,2-0,9	146	198	0,7	7,9	6,5	6,9	470
BX 90 exp	86120094	105	115	91,00	159	0,98	0,2-0,9	250	410	1,5	11,9	9,8	10,3	660
BX 200 exp	86120204	233	256	91,00	354	0,98	0,2-0,9	515	805	3,5	26,4	21,8	22,9	1080
BX 300 exp	86120304	349	383	91,00	530	0,98	0,2-0,9	705	1050	3,5	39,6	32,6	34,3	1400
BX 400 exp	86120404	465	511	91,00	708	0,98	0,2-0,9	815	1210	5	52,9	43,5	45,8	1520
BX 500 exp	86120504	581	639	91,00	883	0,98	0,2-0,9	1035	1540	4,5	66,1	54,4	57,2	1960
BX 600 exp	86120604	698	767	91,00	1060	0,98	0,2-0,9	1175	1740	6	79,3	65,3	68,7	2200
BX 800 exp	86120804	930	1022	91,00	1415	0,98	0,2-0,9	1480	2225	5,5	105,7	87,1	91,5	2600
BX 1000 exp	86121004	1163	1278	91,00	1770	0,98	0,2-0,9	1695	2530	7	132,3	108,9	114,5	3200
BX 1200 exp	86121204	1395	1533	91,00	2000	0,98	0,2-0,9	2050	3020	7,5	158,7	130,7	137,4	3600
BX 1500 exp	86121504	1744	1917	91,00	2650	0,98	0,2-0,9	2805	3840	6,5	198,3	163,3	171,8	4400
BX 1750 exp	86121754	2035	2236	91,00	3000	0,98	0,2-0,9	3100	4240	7,5	231,4	190,6	200,4	4900

Dimensions		H	H1	H2	H4	H6	L	L2	L4	P	P2	P6	Øb	Øc	N1	N2	N3	N4	N5	N6
Model		mm	mm	mm	mm	mm	mm	mm	mm	mm	mm	mm	mm	mm	DN/in	DN/in	DN/in	DN/in	DN/in	DN/in
BX 60	BBX 60	1500	900	385	1280	520	1200	750	800	1215	818	240-290	130	180	1"1/4	1"	1"	1"	1/2"	3/4"
BX 90	BBX 90	1680	990	420	1460	560	1220	900	950	1720	1168	280-330	160	200	40	1"	40	1"	25	3/4"
BX 200	BBX 200	2010	1240	575	1760	720	1400	1080	1130	2060	1508	280-330	180	250	50	1"	65	1"1/4	40	3/4"
BX 300	BBX 300	2013	1400	640	1920	815	1590	1240	1290	2092	1510	310-360	225	250	65	1"	80	1"1/4	50	3/4"
BX 400	BBX 400	2260	1400	640	1923	815	1590	1240	1290	2342	1760	310-360	225	250	65	1"	100	1"1/4	65	3/4"
BX 500	BBX 500	2280	1560	700	1970	900	1750	1400	1450	2384	1761	350-400	280	300	80	1"	100	1"1/4	65	3/4"
BX 600	BBX 600	2280	1560	700	1970	900	1750	1400	1450	2633	2011	350-400	280	300	80	1"	100	1"1/4	65	3/4"
BX 800	BBX 800	2570	1710	735	2225	950	1900	1550	1600	2633	2012	370-420	280	350	100	1"	125	1"1/4	80	3/4"
BX 1000	BBX 1000	2570	1710	735	2225	950	1900	1550	1600	2963	2312	370-420	280	350	100	1"	125	1"1/4	100	3/4"
BX 1200	BBX 1200	2720	1850	785	2354	1000	2000	1680	1730	3160	2512	370-420	320	400	125	1"	150	1"1/4	100	3/4"
BX 1500	BBX 1500	3000	1990	850	2450	1080	2200	1840	1890	3419	2714	420-470	360	450	150	1"	125	1"1/4	80	1"
BX 1750	BBX 1750	3000	1990	850	2450	1080	2200	1840	1890	3719	3014	420-470	360	450	150	1"	125	1"1/4	80	1"1/4

Characteristics	Code product	Design pressure	Min-max work pressure
Model		bar	bar
BBX 60 exp	86130064	0,5	0,2 - 0,45
BBX 90 exp	86130094	0,5	0,2 - 0,45
BBX 200 exp	86130204	0,5	0,2 - 0,45
BBX 300 exp	86130304	0,5	0,2 - 0,45
BBX 400 exp	86130404	0,5	0,2 - 0,45
BBX 500 exp	86130504	0,5	0,2 - 0,45
BBX 600 exp	86130604	0,5	0,2 - 0,45
BBX 800 exp	86130804	0,5	0,2 - 0,45
BBX 1000 exp	86131004	0,5	0,2 - 0,45
BBX 1200 exp	86131204	0,5	0,2 - 0,45
BBX 1500 exp	86131504	0,5	0,2 - 0,45
BBX 1750 exp	86131754	0,5	0,2 - 0,45

Characteristics	Code product	Design pressure	Min-max work pressure
Model		bar	bar
BX 60 RU	86120066	0,7	0,2 - 0,65
BX 90 RU	86120096	0,7	0,2 - 0,65
BX 200 RU	86120206	0,7	0,2 - 0,65
BX 300 RU	86120306	0,7	0,2 - 0,65
BX 400 RU	86120406	0,7	0,2 - 0,65
BX 500 RU	86120506	0,7	0,2 - 0,65
BX 600 RU	86120606	0,7	0,2 - 0,65
BX 800 RU	86120806	0,7	0,2 - 0,65
BX1000 RU	86121006	0,7	0,2 - 0,65
BX1200 RU	86121206	0,7	0,2 - 0,65
BX1500 RU	86121506	0,7	0,2 - 0,65
BX1750 RU	86121756	0,7	0,2 - 0,65

** n2 for BX 1500 and BX 1750
 *** production with at least 80°C water
 Data regarding Design pressure 0.98 bar