

**INDUSTRIAL RANGE**  
COMPONENTS

**STX**  
SYSTEM FOR STEAM GENERATION SYSTEM FULLY PREASSEMBLED AND STANDARDIZED



**General**

Skid containing water treatment system, aerator, purge collection vessel (removable) for provision, together with the boiler, of a full steam unit. It is connected to  $\phi$  eterm™ system for optimal management of energy savings.

Optional accessories	Code
Automatic purging as single additional SIXEN accessory	86900040
Automatic purging with multiple additional SIXEN accessories	86900039
salinity control unit (TDS pneumatic)	17090037
salinity control unit (TDS electrical)	17090035
salinity control unit (TDS electrical light)	17090051
Sample cooler	38040100
A or B ECXV economizer	See ECXV section
GSS72/1 (BX350-2000) global security system	86900067
GSS72/2 (SIXEN 2500-5000) global security system	86900068

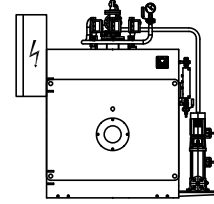
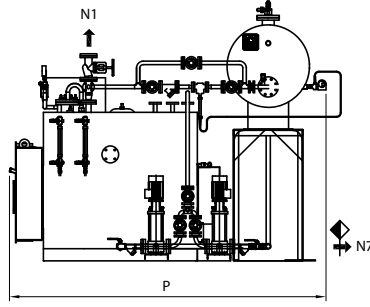
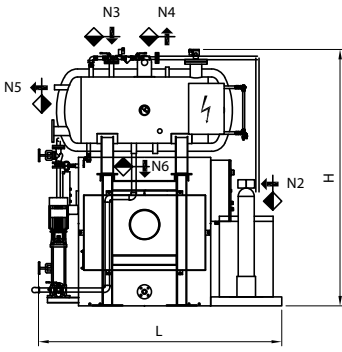
**Standard equipment:**

- SIXEN steam generator
- DEG aerator
- ADD D water treatment system
- ladder and handrail for access to the top of the boiler (only STX Models 10-12, 15-20, 25-30)
- Skid with support base for group water treatment and support frame aerator
- Hydraulic connection between softening unit and aerator
- Hydraulic connection between aerator and supply pumps
- Electrical connection of all supplied equipment converging to a single centralized electrical panel

**Exceptions**

- Drains and purges hydraulic connection
- Purge collection tank
- Pipe insulation

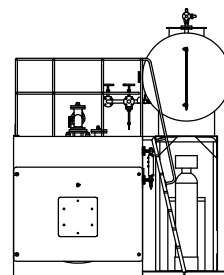
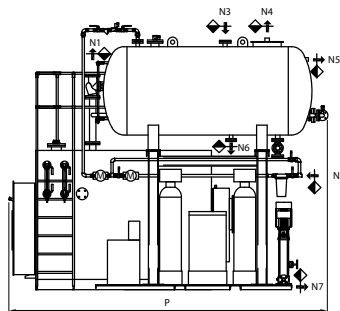
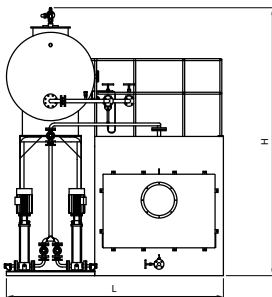
**INDUSTRIAL RANGE**  
COMPONENTS  
STX



- Legend:**  
 N1 Steam press  
 N2 Network water input  
 N3 Condensate return  
 N4 Aerator  
 N5 Overflow aerator  
 N6 Aerator drain  
 N7 Generator drain

STX 2-8

Size	Boiler	Aerator	Water softener	H	L	P	N1	N2	N3	N4	N5	N6	N7
				mm	mm	mm	DN	in	DN	in	DN/in	DN/in	DN
STX 2-5	SIXEN 350	DEG 500	ADD 90 D	2910	2410	2910	32	1"	32	1"	1"1/4	3/4"	32
	SIXEN 500			2910	2410	3160	32	1"	40	1"	1"1/4	3/4"	32
	SIXEN 650			3030	2530	3200	40	1"	40	1"	1"1/4	3/4"	32
	SIXEN 800			3030	2530	3450	40	1"	40	1"	1"1/4	3/4"	32
STX 6-8	SIXEN 1000	DEG 1000	ADD 210 D	3390	2740	3400	50	1"	40	2"	1"1/4	40	32
	SIXEN 1350			3390	2740	3810	50	1"	40	2"	1"1/4	40	32
STX 10-20	SIXEN 1700	DEG 2000	ADD 300 D	3850	3010	3980	65	1"	40	2"	1"1/4	40	32
	SIXEN 2000			3850	3010	4340	65	1"	40	2"	1"1/4	40	32
STX 15-20	SIXEN 2500	DEG 3000	ADD 600 D	4260	3360	4730	80	1"	40	2"	1"1/4	50	32
	SIXEN 3000			4330	3360	5230	80	1"	40	2"	1"1/4	50	32
	SIXEN 3500			4520	3500	5300	80	1"	40	2"	1"1/4	50	32
STX 25-30	SIXEN 4000	DEG 4000	ADD 800 D	4790	3770	5750	100	1"1/4	50	2"	50	50	32
	SIXEN 5000			4910	3890	6000	125	1"1/4	50	2"	50	50	32



- Legend:**  
 N1 Steam press  
 N2 Network water input  
 N3 Condensate return  
 N4 Aerator  
 N5 Overflow aerator  
 N6 Aerator drain  
 N7 Generator drain

STX 10-50