

INDUSTRIAL RANGE

HOT WATER

REX

HOT WATER BOILER

Design pressure 6 bar



Main features

REX steel boiler, cylindric combustion chamber with reverse flame, completely closed round posterior side supported by a completely submerged nozzle. Connectible to pressure air jet burner for liquid or gas fuel operation Used in systems with water temperature between 60 and 100 °C (safety thermostat set at 110 °C).

Some of the product's main features are related below:

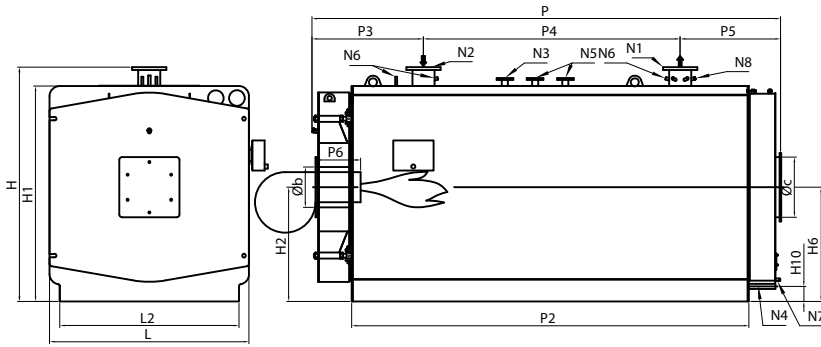
- boiler body built from high quality steel, made from front tube sheet turned towards the combustion chamber using RSB procedures and from convex rear plate (rather than a flat surface for a better resistance internal pressure) with laser drilled holes.
- cylindrical revers flame combustion chamber, with the rear side completely sealed off by a convex bottom supported by a submerged nozzle; the flame presenting itself in the central part of the chamber, while hot gases return to the lower part of the partially submerged chamber. Hot gases will be conveyed through the tube bundle.
- EN10217-2 P235GH smoke ducts welded to tube plates, fitted with special helical turbolators.
- posterior fume box manufactured from thermal insulated steel sheets, constructed in one piece that can be easily opened and that allows smoke duct inspections, fastened with bolts, equipped with chimney connection and cleaning door.
- boiler casing equipped with system and working device connections, all manufactured with approved welding procedures and qualified personnel.
- round, embossed, aluminum casing
- high density fiberglass mattress insulation
- steel sheet, fiber-ceramic, thermal insulated rear door, mounted on hinges, easily opened with equipped lever by drilled ferrules.
- support built form carbon steel sections able to support the entire unit.

Standard equipment:

- pressure monitoring instrumentation, containing:
 - large dial 3 way test valve manometer
 - high pressure pressure gage with manual reset (only for abroad versions)
- temperature monitoring instrumentation, containing:
 - 0-120°C large scale thermometer
 - high temperature, (INAIL for italian versions) manual reset safety thermostat (only for abroad versions)
 - 0-100° C regulating thermostat with INAIL approval (only Italy versions)
 - PT1000 thermocouple
- purging unit containing:
 - purge shut-off valve at flow start
 - male connection quick exhaust valve with manual lever
- boiler electric command panel, IP 55 electrical protection, composed of:
 - main switch
 - burner switch
 - condensate pump interrupt
 - electronic thermoregulator with delivery temperature display (on-off command and second stage burner)
 - high pressure light and alarm reset button
 - high temperature light and alarm reset button
 - alarm reset button
 - alarm siren

For each product always indicate the code at the time of the order.

INDUSTRIAL RANGE
HOT WATER
REX



- Legend:**
 N1 Boiler flow
 N2 Boiler return
 N3 Equipment connections
 N4 System load/drain connection
 N5 Safety valve connection
 N6 Bulb sheath
 N7 Condensate drain
 N8 Control cover

Characteristics	Code product	Nominal Power Temp. Medium 70°C kW	Flow Thermal kW	Efficiency at 100% (ref. C.O.P.) Temp. Medium 70°C %	Efficiency at 30% (ref. C.O.P.) Temp. Medium 70°C %	Flue gas pressure drop mbar	Hydraulic pressure drop (ΔT=12°C) mbar	Water content lt	Total weight kg
Model									
REX 400	83819010	4000	4333	92,31	91,80	9,0	98	4450	7420
REX 450	83820010	4500	4865	92,50	91,90	10,0	124	4900	7920
REX 500	83821010	5000	5402	92,56	91,90	10,0	63	6200	9530
REX 600	83822010	6000	6480	92,59	91,90	12,0	91	6900	10890

Dimensions	H	H1	H2	H6	H10	L	L2	P	P2	P3	P4	P5	P6	Øb	Øc	N1	N2	N1/N2	N3	N4	N5	N6	N7	N8
	mm	mm	mm	mm	mm	mm	mm	mm	mm	mm	mm	mm	mm	mm	mm	DN/in	DN/in	PN	DN/in	DN/in	DN/in	DN/in	DN/in	DN/in
REX 400	2326	2140	1135	1135	150	1980	1780	4310	3596	1105	2200	1005	450-500	400	600	200	200	16	50	1"1/4	50	1/2"-3/4"	1/2"	1/2"
REX 450	2326	2140	1135	1135	150	1980	1780	4660	3946	1105	2550	1005	500-550	400	600	200	200	16	50	1"1/4	50	1/2"-3/4"	1/2"	1/2"
REX 500	2529	2340	1235	1235	150	2180	1980	4729	3948	1174	2550	1005	500-550	450	650	250	250	16	65	1"1/4	65	1/2"-3/4"	1/2"	1/2"
REX 600	2529	2340	1235	1235	150	2180	1980	5261	4488	1174	3100	987	530-580	450	650	250	250	16	65	1"1/4	65	1/2"-3/4"	1/2"	1/2"

Characteristics	Code product
Model	
REX 400 EXP*	83819012
REX 450 EXP*	83820012
REX 500 EXP*	83821012
REX 600 EXP*	83822012

For higher pressures see our commercial department.
Version recommended for abroad.