

COMMERCIAL RANGE
STEEL BOILERS

REX DUAL
STACKED COMBUSTION CHAMBERS
Design pressure 5bar



Main features

REX DUAL stacked module steel boiler, employs cylindrical concentric combustion chambers with reverse flame, a blind furnace completely supported by a submerged nozzle projection welded into the rear tube plate facilitating a fully submerged wet back. The boiler is designed to be used in systems with water temperature between 60 and 100 °C (safety thermostat set at 110 °C). 3 stars classification according to 92/42/EEC directive in compliance with 192/05 and 311/06 Legislation.

Some of the product's main features are related below:

- boiler body built from high quality steel, made from front tube sheet flanged to the combustion chamber using RSB procedures and from concave rear plate (rather than a flat surface for a better resistance internal pressure),
- cylindrical reverse flame combustion chamber, supported by a submerged nozzle; the flame is positioned centrally within the chamber, whilst the hot gases return to the front of the furnace forming a second pass within the furnace, with the hot gases being conveyed through the tube bundle to the rear smoke box
- EN10217-2 P235GH smoke tubes welded to tube plates, fitted with special helical turbolators
- the rear smoke box, manufactured from thermally insulated steel sheets, constructed in one piece that can be easily opened and that allows smoke tube inspections, fastened with bolts, equipped with chimney connection and cleaning door.
- boiler casing equipped with system and working device connections, all manufactured with approved welding procedures and qualified personnel.
- high density, glass wool mattress insulation, protected by easily removable, varnished steel panels.
- steel sheet, fiber-ceramic, thermal insulated, reversible front door, mounted on hinges, easily opened with equipped lever by drilled ferrules.

Standard equipment:

- Complete insulating casing
- Turbolators
- Cleaning brush
- Delivery and return hydraulic collectors
- Kit for generator hydraulic coupling

Accessories	Code
Control panels	
Thermostatic control panel	QACC01ELMDCE
<i>Features can be seen in "Thermostatic control panels section"</i>	
Boiler management ⇄ eterm™ control panel	QETERM01CE
Boiler management ⇄ eterm™ control panel	QETERM01RU2*
System management layouts	QETERM02
<i>For characteristics and other accessories see "⇄ eterm™ system" section</i>	

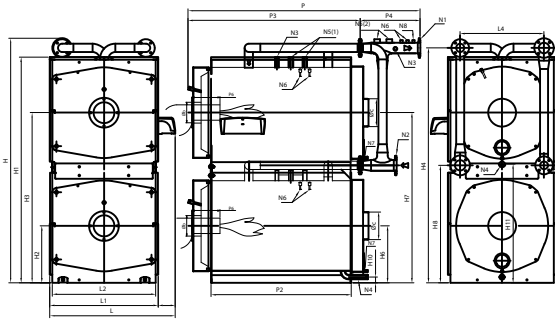
* This code refers to markets of: Russia, Belarus, Ukraine, Georgia and Kazakhstan

For higher pressures see our commercial department.
When purchasing, always indicate used fuel. In case of heavy oil or biogas the product will undergo modifications.

COMMERCIAL RANGE

STEEL BOILERS

REX DUAL



- Legend:**
- N1 Boiler flow
 - N2 Boiler return
 - N3 Equipment connections
 - N4 System load/drain connection
 - N5 Safety valve connection
 - N6 Bulb sheath
 - N7 Condensate drain
 - N8 Instrument pocket

Characteristics	Code product	Nominal Power Temp. Medium 70°C kW	Flow Thermal kW	100% efficiency (ref. C.O.P.) Temp. Medium 70°C %	30% efficiency (ref. C.O.P.) Temp. Medium 70°C %	Flue gas pressure drop mbar	Hydraulic pressure drop (ΔT=12°C) mbar	Water content lt	Total weight kg
Model									
REX DUAL 14	83801030	140	152	92,11	91,40	0,8	11	210	465
REX DUAL 16	83801040	160	174	91,95	91,50	1,0	14	210	465
REX DUAL 18	83802040	180	196	91,84	91,55	0,8	18	246	549
REX DUAL 20	83802050	200	218	91,74	91,66	1,0	22	246	549
REX DUAL 24	83802060	240	260	92,31	91,45	1,1	32	246	549
REX DUAL 30	83803030	300	326	92,02	91,30	1,2	22	344	726
REX DUAL 40	83803040	400	432	92,59	91,36	1,9	38	344	726
REX DUAL 50	83804030	500	542	92,25	91,70	2,0	60	440	898
REX DUAL 60	83805030	600	650	92,31	91,90	2,0	86	600	986
REX DUAL 70	83806030	700	758	92,35	91,90	2,9	118	712	1122
REX DUAL 80	83807040	800	866	92,38	91,80	4,1	63	720	1285
REX DUAL 100	83808040	1000	1084	92,25	91,90	4,2	98	1080	1830
REX DUAL 124	83809040	1240	1344	92,26	91,80	6,4	62	1290	2065
REX DUAL 150	83810070	1500	1626	92,25	91,80	5,2	44	1710	2621
REX DUAL 170	83810080	1700	1842	92,29	91,80	7,2	56	1710	2621

Dimensions	H	H1	H2	H3	H4	H6	H7	H8	H10	H11	L	L1	L2	L4	P	P2	P3	P4	P6	Øb	Øc	N1	N2	N1/N2	N3	N4	N5	N6	N7	N8
	mm	mm	mm	mm	mm	mm	mm	mm	mm	mm	mm	mm	mm	mm	mm	mm	mm	mm	mm	mm	mm	DN/in	DN/in	PN	DN/in	DN/in	DN/in	DN/in	DN/in	DN/in
REX DUAL 14	1693	-	415	1245	1610	415	1245	780	54,5	884,5	939	756	700	540	1365	630	996	369	200-250	130	200	65	65	6	1"	1"	1"	1/2"	1/2"	1/2"
REX DUAL 16	1693	-	415	1245	1610	415	1245	780	54,5	884,5	939	756	700	540	1365	630	996	369	200-250	130	200	65	65	6	1"	1"	1"	1/2"	1/2"	1/2"
REX DUAL 18	1693	-	415	1245	1610	415	1245	780	54,5	884,5	939	756	700	540	1490	755	1121	369	200-250	130	200	65	65	6	1"	1"	1"	1/2"	1/2"	1/2"
REX DUAL 20	1693	-	415	1245	1610	415	1245	780	54,5	884,5	939	756	700	540	1490	755	1121	369	200-250	130	200	65	65	6	1"	1"	1"	1/2"	1/2"	1/2"
REX DUAL 24	1693	-	415	1245	1610	415	1245	780	54,5	884,5	939	756	700	540	1490	755	1121	369	200-250	130	200	65	65	6	1"	1"	1"	1/2"	1/2"	1/2"
REX DUAL 30	1793	-	440	1320	1710	440	1320	830	54,5	934,5	989	806	750	590	1798	1000	1400	398	200-250	160	250	80	80	6	1"	1"	1"	1/2"	1/2"	1/2"
REX DUAL 40	1793	-	440	1320	1710	440	1320	830	54,5	934,5	989	806	750	590	1798	1000	1400	398	200-250	160	250	80	80	6	1"	1"	1"	1/2"	1/2"	1/2"
REX DUAL 50	1793	-	440	1320	1710	440	1320	830	54,5	1034,5	989	806	750	590	2048	1250	1650	398	200-250	160	250	80	80	6	1"	1"	1"	1/2"	1/2"	1/2"
REX DUAL 60	1993	-	490	1470	1910	490	1470	930	54,5	1034,5	1089	906	850	690	2049	1250	1651	398	200-250	180	250	80	80	6	1"	1"	1"	1/2"	1/2"	1/2"
REX DUAL 70	1993	-	490	1470	1910	490	1470	930	54,5	1034,5	1089	906	850	690	2299	1500	1901	398	200-250	180	250	80	80	6	1"	1"	1"	1/2"	1/2"	1/2"
REX DUAL 80	2244	2040	500	1525	2139	500	1525	1069	50	1075	1129	946	890	720	2440	1502	1795	645	230-280	225	250	100	100	6	1"	1"	1 1/4(1) +1 1/2(2)	1/2"	1/2"	1/2"
REX DUAL 100	2624	2420	610	1825	2520	610	1825	1259	60	1275	1349	1166	1110	900	2490	1502	1847	643	270-320	225	300	100	100	6	1"	1 1/4	1 1/4 +1 1/2(2)	1/2"	1/2"	1/2"
REX DUAL 124	2640	2420	610	1825	2520	610	1825	1259	60	1275	1349	1166	1110	900	2792	1792	2113	679	270-320	225	300	125	125	6	1"	1 1/4	1 1/4 +1 1/2(2)	1/2"	1/2"	1/2"
REX DUAL 150	2935	2680	675	2020	2793	675	2020	1372	60	1405	1479	1296	1240	1000	2756	1753	2087	668	270-320	280	350	150	150	6	1"	1 1/4	1 1/2 +1 1/2(2)	1/2"	1/2"	1/2"
REX DUAL 170	2935	2680	675	2020	2793	675	2020	1372	60	1405	1479	1296	1240	1000	2756	1753	2087	668	270-320	280	350	150	150	6	1"	1 1/4	1 1/2 +1 1/2(2)	1/2"	1/2"	1/2"

For each product always indicate the code at the time of the order.
The control panel is sold separately

COMMERCIAL RANGE
STEEL BOILERS

REX DUAL
ADJACENT COMBUSTION CHAMBERS
Design pressure 5bar



Main features

REXDUAL adjacent module steel boiler, employs cylindrical concentric combustion chambers with reverse flame, a blind furnace completely supported by a submerged nozzle projection welded into the rear tube plate facilitating a fully submerged wet back. The boiler is designed to be used in systems with water temperature between 60 and 100 °C (safety thermostat set at 110 °C). 3 stars classification according to 92/42/EEC directive in compliance with 192/05 and 311/06 Legislation.

Some of the product's main features are related below:

- boiler body built from high quality steel, made from front tube sheet flanged to the combustion chamber using RSB procedures and from concave rear plate (rather than a flat surface for a better resistance internal pressure),
- cylindrical reverse flame combustion chamber, supported by a submerged nozzle; the flame is positioned centrally within the chamber, whilst the hot gases return to the front of the furnace forming a second pass within the furnace, with the hot gases being conveyed through the tube bundle to the rear smoke box
- EN10217-2 P235GH smoke tubes welded to tube plates, fitted with special helical turbolators
- the rear smoke box, manufactured from thermally insulated steel sheets, constructed in one piece that can be easily opened and that allows smoke tube inspections, fastened with bolts, equipped with chimney connection and cleaning door.
- boiler casing equipped with system and working device connections, all manufactured with approved welding procedures and qualified personnel.
- high density, glass wool mattress insulation, protected by easily removable, varnished steel panels.
- steel sheet, fiber-ceramic, thermal insulated, reversible front door, mounted on hinges, easily opened with equipped lever by drilled ferrules.

Standard equipment:

- Complete insulating casing
- Turbolators
- Cleaning brush
- Delivery and return hydraulic collectors
- Kit for generator hydraulic coupling

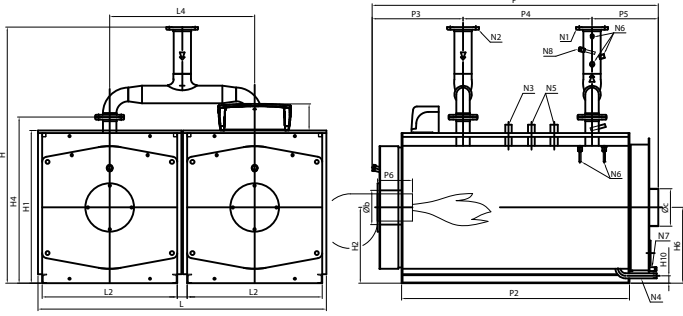
Accessories	Code
Control panels	
Thermostatic control panel	QACC01ELMDCE
<i>Features can be seen in "Thermostatic control panels section"</i>	
Boiler management ⇄ eterm™ control panel	QETERM01CE
Boiler management ⇄ eterm™ control panel	QETERM01RU2*
System management layouts	QETERM02

For characteristics and other accessories see "⇄ eterm™ system" section

* This code refers to markets of: Russia, Belarus, Ukraine, Georgia and Kazakhstan

For higher pressures see our commercial department.
When purchasing, always indicate used fuel. In case of heavy oil or biogas the product will undergo modifications.

COMMERCIAL RANGE STEEL BOILERS REX DUAL



- Legend:**
- N1 Boiler flow
 - N2 Boiler return
 - N3 Equipment connections
 - N4 System load/drain connection
 - N5 Safety valve connection
 - N6 Bulb sheath
 - N7 Condensate drain
 - N8 Instrument pocket

Characteristics	Code product	Nominal Power Temp. Medium 70°C kW	Flow Thermal kW	100% efficiency (ref. C.O.P.) Temp. Medium 70°C %	30% efficiency (ref. C.O.P.) Temp. Medium 70°C %	Flue gas pressure drop mbar	Hydraulic pressure drop (ΔT=12°C) mbar	Water content lt	Total weight kg
REX DUAL 80	83807030	800	866	92,38	91,80	4,1	63	720	1167
REX DUAL 100	83808030	1000	1084	92,25	91,90	4,2	98	1080	1705
REX DUAL 124	83809030	1240	1344	92,26	91,80	6,4	62	1290	1925
REX DUAL 150	83810050	1500	1626	92,25	91,80	5,2	44	1710	2409
REX DUAL 170	83810060	1700	1842	92,29	91,80	7,2	56	1710	2409
REX DUAL 190	83811030	1900	2060	92,23	91,70	5,2	22	1900	2833
REX DUAL 200	83812070	2040	2212	92,22	91,70	4,0	26	2400	3686
REX DUAL 240	83812080	2400	2602	92,24	91,80	5,5	35	2400	3686
REX DUAL 260	83812090	2600	2818	92,26	91,70	6,5	42	2400	3686

Dimensions	H	H1	H2	H4	H6	H10	L	L2	L4	P	P2	P3	P4	P5	P6	Øb	Øc	N1	N2	N1/N2	N3	N4	N5	N6	N7	N8
	mm	mm	mm	mm	mm	mm	mm	mm	mm	mm	mm	mm	mm	mm	mm	mm	mm	DN/in	DN/in	PN	DN/in	DN/in	DN/in	DN/in	DN/in	DN/in
REX DUAL 80	1690	1015	500	1095	500	50	1901	890	955	1872	1502	600	850	422	230-280	225	250	100	100	6	1"	1"	1"1/4(1)	1/2"	1/2"	1/2"
REX DUAL 100	1880	1205	610	1285	610	60	2341	1110	1175	1946	1502	663	850	433	270-320	225	300	100	100	6	1"	1"1/4	1"1/4	1/2"	1/2"	1/2"
REX DUAL 124	1902	1205	610	1285	610	60	2341	1110	1175	2235	1792	663	1150	422	270-320	225	300	125	125	6	1"	1"1/4	1"1/4	1/2"	1/2"	1/2"
REX DUAL 150	1990	1335	675	1417	675	60	2600	1240	1305	2247	1753	704	1100	443	270-320	280	350	150	150	6	1"	1"1/4	1"1/2	1/2"	1/2"	1/2"
REX DUAL 170	1990	1335	675	1417	675	60	2600	1240	1305	2247	1753	704	1100	443	270-320	280	350	150	150	6	1"	1"1/4	1"1/2	1/2"	1/2"	1/2"
REX DUAL 190	1990	1335	675	1417	675	60	2600	1240	1305	2497	2003	704	1200	593	270-320	280	350	200	200	6	1"	1"1/4	1"1/2	1/2"	1/2"	1/2"
REX DUAL 200	2025	1485	750	1568	750	60	2900	1390	1455	2477	2003	703	1200	574	270-320	280	400	200	200	6	1"	1"1/4	1"1/2	1/2"	1/2"	1/2"
REX DUAL 240	2025	1485	750	1568	750	60	2900	1390	1455	2477	2003	703	1200	574	270-320	280	400	200	200	6	1"	1"1/4	1"1/2	1/2"	1/2"	1/2"
REX DUAL 260	2025	1485	750	1568	750	60	2900	1390	1455	2477	2003	703	1200	574	270-320	280	400	200	200	6	1"	1"1/4	1"1/2	1/2"	1/2"	1/2"

For each product always indicate the code at the time of the order.
The control panel is sold separately